

## BVO473N

### 850TVL IR Dome Camera

#### Product Overview

Bavono BVO473N features a miniature conch shaped exterior, compact and lightweight, easy installation, and high functionality at a relatively affordable price. It contains 30 units of IR LEDs with an effective range of up to 25 meters. BVO473N is a professional camera that is used extensively in offices, factories, warehouses, car parks, shopping malls, hotels, and retail stores.

#### Infrared Technology

A human eye can only detect wavelengths within the visible spectrum, which is only a small portion of the electromagnetic spectrum. Visible colors ranging from the longest to shortest are red, orange, yellow, green, blue, and violet. Colors with a longer wavelength than red are known as infrared radiation, and colors with a shorter wavelength than violet are known as ultraviolet radiation. Infrared bounces off objects in darkness and enters a special lens which is then generated into an image. This enables images to be captured in dark settings where the surroundings are not visible to humans.

#### IR Cut Filter

A day and night color camera equipped with an IR cut filter has the ability to prevent color modification during daytime. During the day, the IR cut filter is placed in the optical path to filter out the infrared light to prevent unnatural-looking images due to color distortion. The IR cut filter is automatically removed in low light conditions, allowing the camera to make use of near infrared light to deliver high quality images.

#### Horizontal Resolution

Horizontal Resolution is one of the key factors in assessing the quality of cameras expressed in Television Lines (TVL). Optical low-pass filters are used in Bavono cameras to eliminate color aliasing. Serial Signal Processing and image enhancement technology deliver a high resolution of 850 TVL. The image quality is further enhanced via advanced image processing techniques and special algorithms.

#### Features

- ▶ 1/3" Color Image Sensor
- ▶ High Resolution of 850 TV Lines
- ▶ Minimum Illumination of 0.5 Lux
- ▶ Automatic DWDR for light control
- ▶ Built-in automatic IR-cut filter
- ▶ 30 IR LEDs
- ▶ IR LED Effective Range Reaches Up to 25 Meters
- ▶ Power Supply: DC 12V
- ▶ High Reliability Under Long Time Operation



1/3" Color  
Image Sensor

Image Sensor

850 TVL

Resolution

0.5 Lux

Min. illumination

30 Units

LEDs

25 m

IR LED Range

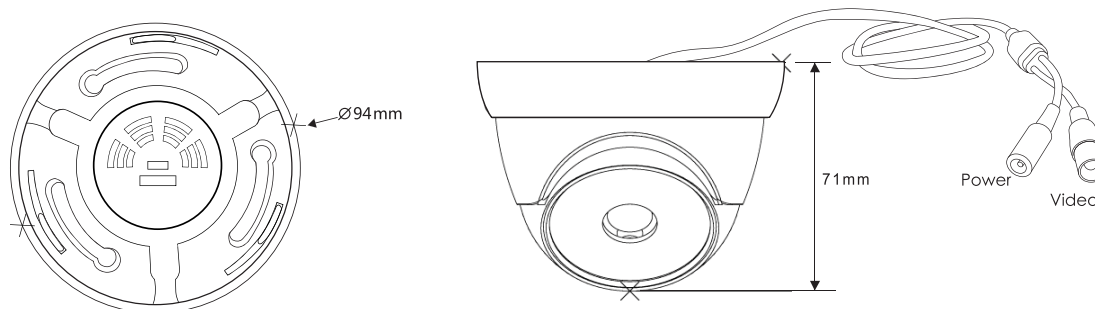
IR-Cut

Filter

DWDR

Wide Dynamic  
Range

## Dimensions



## Specifications

Model	BVO473N	
Video Standard	NTSC	PAL
Image Sensor	1/3" Color Image Sensor	
Effective Picture Elements	720(H)*480(V)	720(H)*576(V)
Horizontal Resolution	850 TVL	
Min. Illumination (approx.)	0.5 Lux	
IR LED	30 units	
IR LED Effective Range	25 Meters	
IR-Cut Filter	Built-in	
WDR	Auto	
Lens	3.6mm (2.8mm optional)	
Power Requirement	DC 12V	
Operating Temperature	-20°C - +60°C	
Shell Material	Premium Plastic	
Shell Color	White / Black	
Dimensions (mm)	94 (Ø) × 71 (H)	
Weight (g)	225	

## Applications



Offices



Car Parks



Shopping Malls



Warehouses



Hotels



Retail Stores